

WIND LOAD = 150 KG/CM², Fy=240N/MM²

YIELD STRESS OF ZINCALUME SHEET = 5500 KG/CM²

YIELD STRESS OF A.C SHEET & COLOUR COATED = 2400 KG/CM²

SLOPE 10 DEG TO 14 DEG

SPAN	AS SHEET ROOFING	COLOUR COATED ROOFINGS	ZINCALUME ROOFING	SAG RODS
IN MM	(AT 1.4 M)	(AT 1.60 M)	(AT 1.80 M)	(AT 1.4 M)
4.5	Z180 X 2.0	Z180 X 2.0	Z180 X 2.0	NIL
5.0	Z180 X 2.0	Z180 X 2.0	Z180 X 2.0	NIL
5.5	Z200 X 2.0	Z200 X 2.0	Z200 X 2.0	NIL
6.0	Z200 x 2.3	Z200 X 2.3	Z200 X 2.3	1 NO
6.5	Z200 x 2.3	Z230 x 2.0	Z230 x 2.0	1 NO
7.0	Z230 x 2.3	Z230 x 2.5	Z230 x 2.3	1 NO
7.5	Z230 x 2.5	Z230 x 2.5	Z230 x 2.5	1 NO
8.0	Z250 x 2.3	Z250 x 2.3	Z250 x 2.3	2 NO
8.5	Z250 x 2.5	Z250 x 2.5	Z250 x 2.5	2 NO

TECHNICAL SPECIFICATIONS OF 'Z' AND 'C'

Purlin DEPTH 'D'	Thickness (t)	Mass (Kg/M)	ZED PURLIN		CEE PURLIN	
			F	L	F	L
160	2.00	4.82	60	20	60	20
160	2.30	5.54	60	20	60	20
160	2.55	6.15	60	20	60	20
200	2.00	5.44	60	20	60	20
200	2.30	6.27	60	20	60	20
200	2.55	6.95	60	20	60	20
230	2.00	5.92	60	20	60	20
230	2.30	6.87	60	20	60	20
230	2.55	7.55	60	20	60	20
250	2.00	6.23	60	20	60	20

www.alfarofingsolutions.com

www.cleanroomsolutions.co.in

Hosur/Tamilnadu - Unit 1
PEB/Continuous Sandwich
Puf Panel Production Line
Survey no.162,163,164/2,&167,
Kalukondapalli Village,Thally Road,
Hosur - 635114.

Pune/Maharashtra - Unit 3
Steel Purlin/Steel Decking/
Steel Roofing Production Line
Gat No.262, Alandi Phata,
Opp. Hotel Gandharva,
Nanekarwadi, Chakan,
Pune- 410501

Ahmedabad/Gujarat Unit 5
All Types of Continuous Sandwich Puf Panel Production Line.
Survey NO. 192, Paikki khata No 254 and survey No 212 Paikki 2
village chancharvadi, Taluka: Sanand, District: Ahmedabad - 382213

Bengaluru/Karnataka - Unit 2
Steel Roofing Production Line
65/9-10, N.R. Road
Bengaluru - 560 027

Harohalli/Karnataka - Unit 4
Clean Room Wall And
Ceiling Panel/Cold Storage/
Clean Rooms Doors
& Steel Doors Production line
Plot NO. 345, Harohalli II
Phase Ind. Area, Harohalli
Kanakapura Taluk,
Ramanagar Dist, PIN - 562112.

Branch offices :

Bengaluru Marketing office
43/41, Nanjappa Layout
Stonart Building, 3rd Floor,
Audugodi, Bengaluru
Karnataka 560 030

Chennai
7, 1st Floor, Alsa Mall, No.149,
Montieth Road, Egmore,
Chennai - 600008.

Hyderabad
18305 D, Minister Road,
Secunderabad - 500 003.

Kochi
48/1775, Geethanjali Junction
Near Vyttila, Cochin - 682 019

Ph : 080-67451500/511/512/513

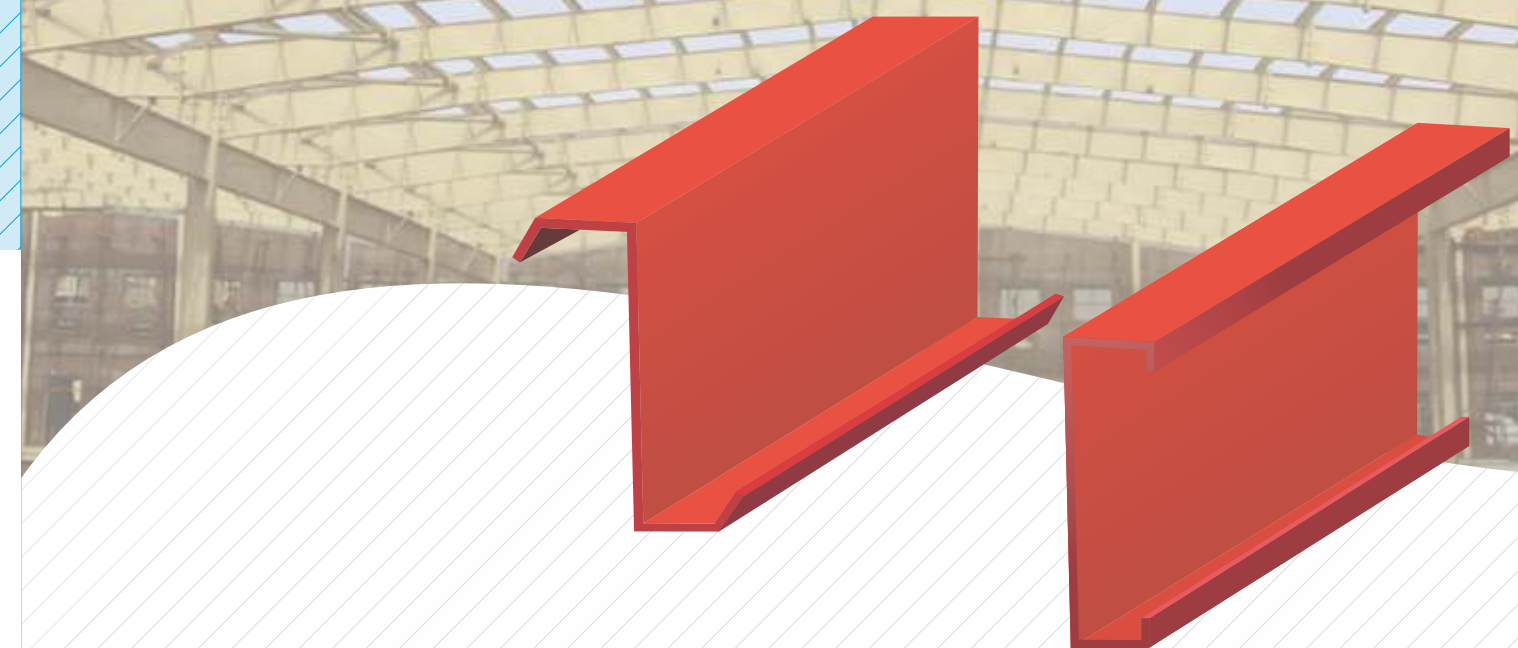
Toll-free No: 1800 103 9242

email: sales@asbs.in



An ISO 9001-2008
Certified Company

ALFA PEB LIMITED



The Modern
CONSTRUCTIONTM
Solutions

Z and C Cold Rolled Formed Section
Purlin & Girt



INTRODUCTION

Purlins, girts and eave struts are secondary structural members used to support the wall and roof panels. Purlins are used on the roof, girts are used on the walls and eave struts at the intersection of the sidewall and the roof.

Secondary members have two other functions: they act as struts that help in resisting part of the longitudinal loads that are applied on the building such as wind and earthquake loads, and they provide lateral bracing to the compression flanges of the main frame members thereby increasing frame capacity.

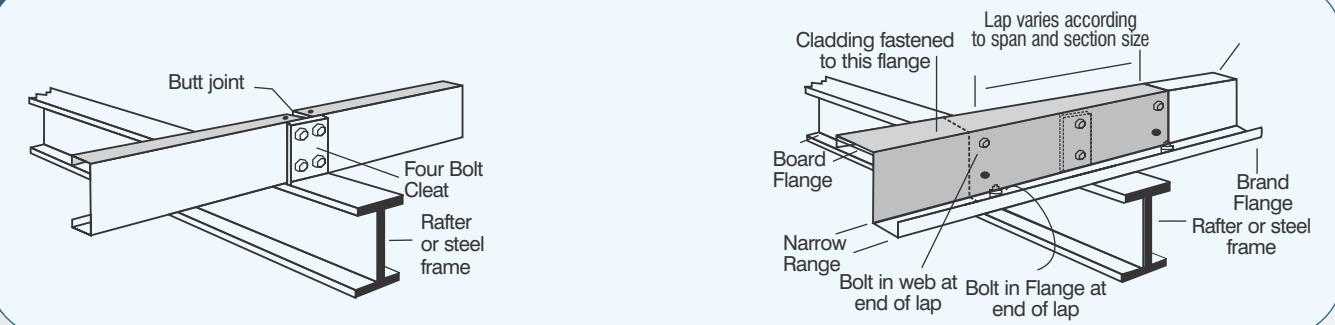
Purlins, girts and eave struts are designed in accordance of the American Iron and Steel Institute (AISI), "Cold-Formed Steel Design Manual".

Purlins, girts and eave struts are available in two standard surface finishes i.e. MS & Galvanized and three standard thicknesses as shown in the table:

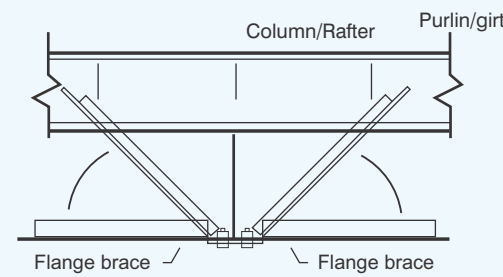
Galvanized finish can be made available upon request and subject to extended delivery Galvanized finish for secondary members is available only in thickness ranging from 1.5 mm to 2.0 mm.

Roof and wall panels are laid perpendicular to the roof purlins and wall girts, respectively, and fastened to them by means of self drilling fasteners.

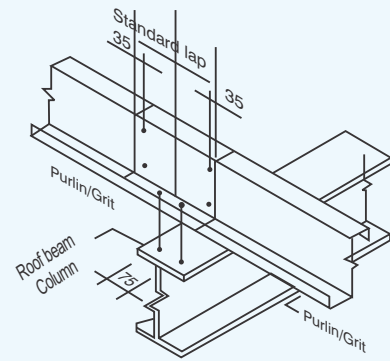
Typical Connection



Typical assembly & Connection details

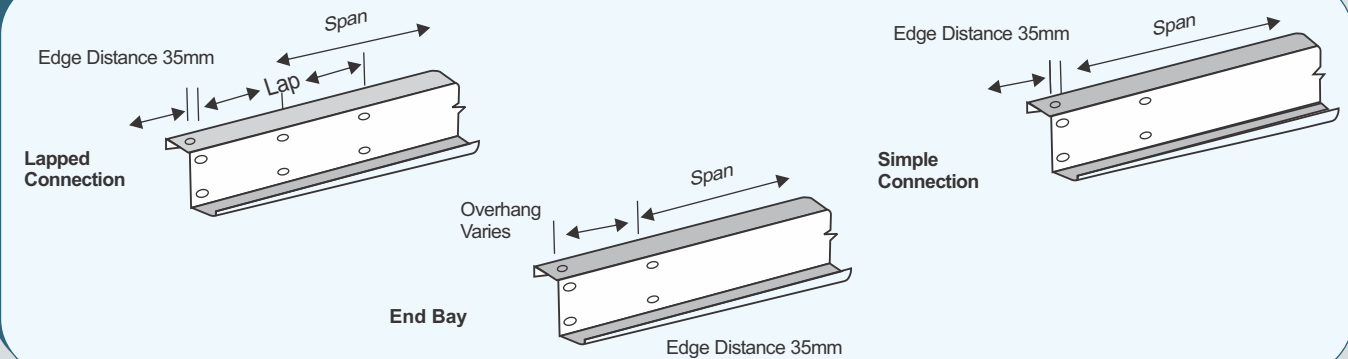


Double flange brace connection details

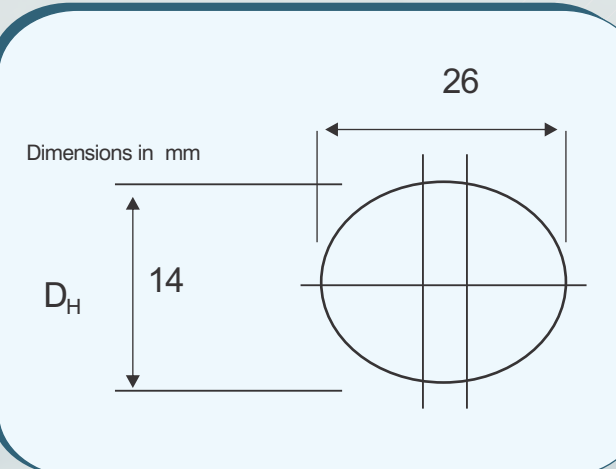


Purlin/Girt lapping detail

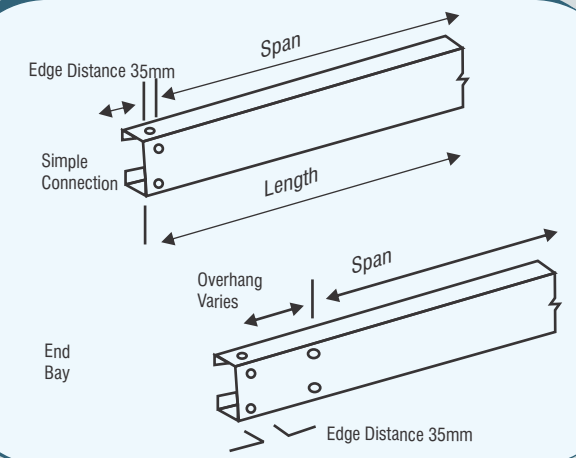
Standard Hole for Zed section



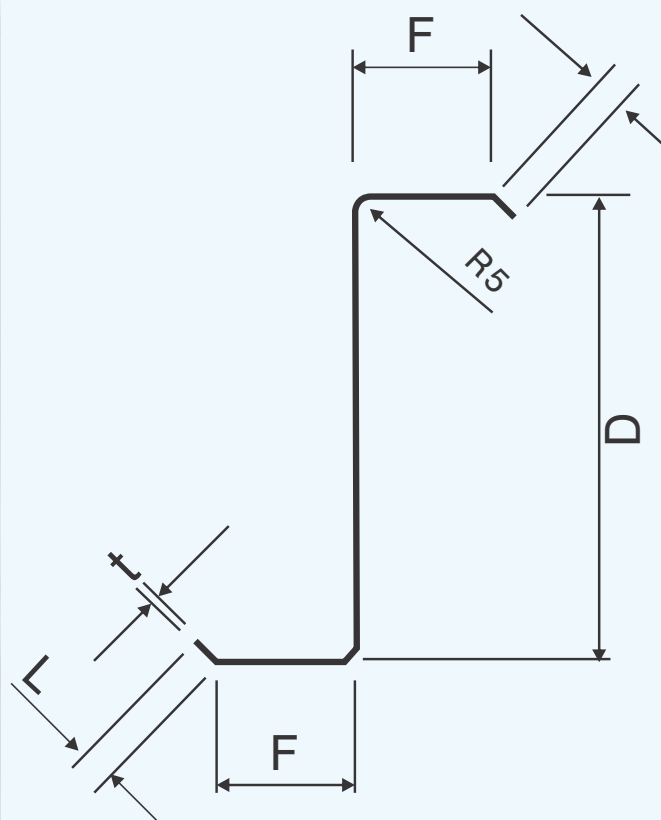
Holes & Cleats



Standard hole for CEE sections



'Z' Purlin



'C' Purlin

